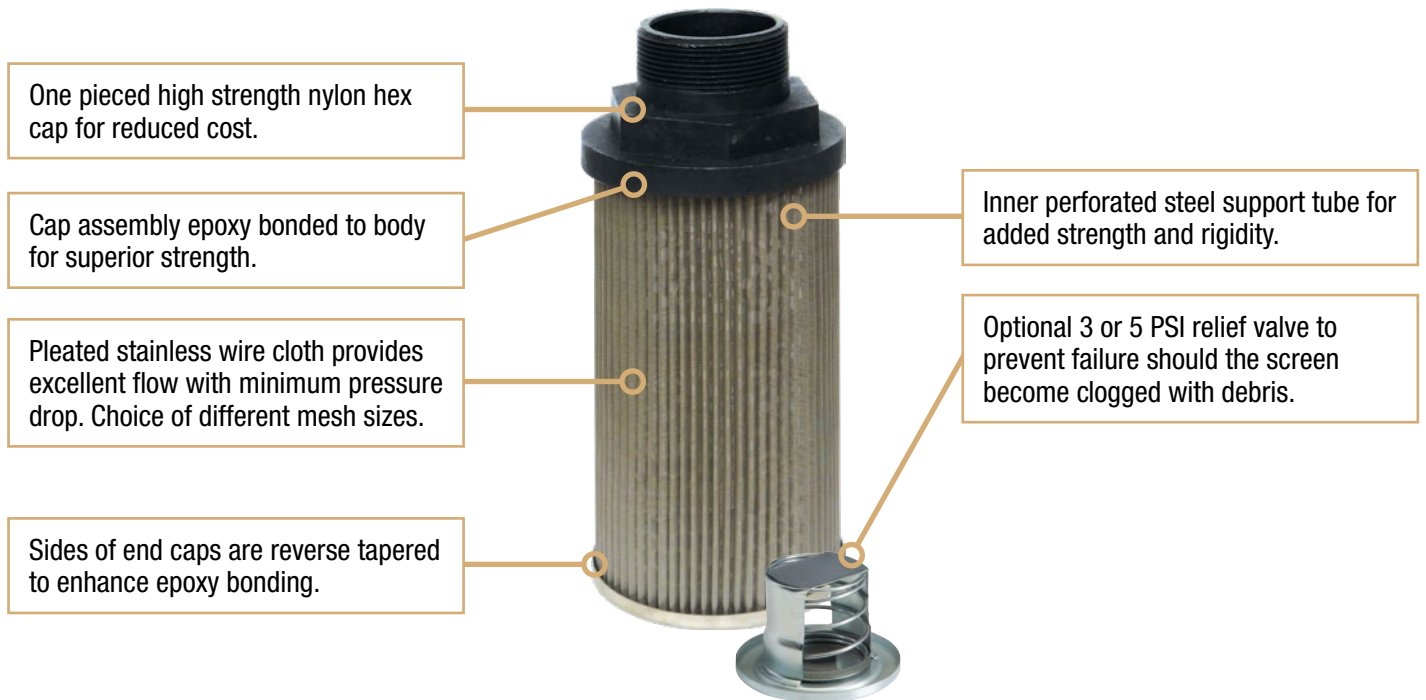


## P7 Series Male Nylon Suction Strainers



### Benefits

- Reliable, low-cost filtering of petroleum based fluids, fire-resistant fluids (phosphate esters and water glycols), lubricating oils, coolants, fuels and water
- Flow rates to 150 gpm

### Features

Male NPT Nylon Hex Cap Suction strainers are used in petroleum based fluids, coolants, lubricants, and many process fluids.

Designed as in-tank strainer elements for direct installation into suction lines of pumps; should always be installed below the minimum fluid level of the reservoir.

Optional relief valves are available in either 3 PSI or 5 PSI allowing dirty filters to by-pass fluid so your pumps wont burn out.

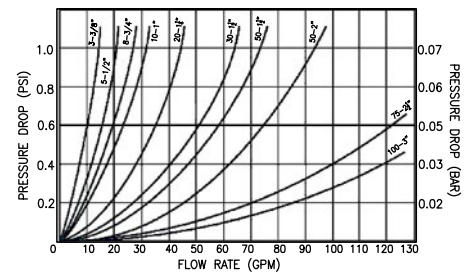
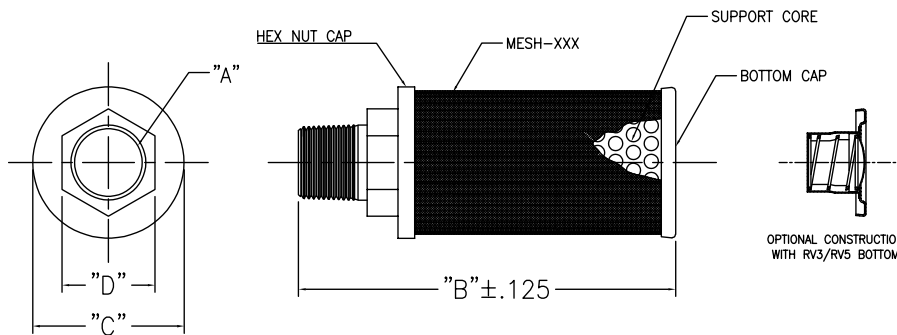
### Options

- 3 or 5 PSI bypass
- Custom sizes, screens and adapters

# P7 Series Male Nylon Suction Strainers

Part Number	GPM	"A" NPT Size	"B" Length	"C" Diameter	"D" Hex Diameter	Screen Area (SQ-IN)
P7-3-3/8-M	3	3/8	3.06	1.94	1.06	35
P7-3-1/2-M	3	1/2	3.22	1.94	1.06	35
P7-5-3/4-M	5	3/4	4.35	2.70	1.38	68
P7-5-1-M	5	1	4.46	2.70	1.75	68
P7-8-3/4-M	8	3/4	4.35	2.70	1.38	68
P7-8-1-M	8	1	4.46	2.70	1.75	68
P7-10-3/4-M	10	3/4	6.04	2.70	1.38	106
P7-10-1-M	10	1	6.15	2.70	1.75	106
P7-50-1-1/2-M	50	1-1/2	10.92	4.00	2.50	340
P7-50-2-M	50	2	11.00	4.00	3.00	340
P7-75-2-1/2-M	75	2-1/2	11.46	5.20	3.54	402
P7-75-3-M	75	3	11.56	5.20	3.75	402
P7-100-2-1/2-M	100	2-1/2	12.71	5.20	3.54	504
P7-100-3-M	100	3	12.81	5.20	3.75	504
P7-150-2-1/2-M	150	2-1/2	18.96	5.20	3.54	683
P7-150-3-M	150	3	19.06	5.20	3.75	683

All dimensions are in inches and for reference only.



## Filter Mesh: 100 Mesh is Standard

Mesh Suffix XXX	Mesh Opening Microns	Open Area (%)
200	69	29
100	155	36
60	300	41
30	681	64

## How to Order: Male 50 GPM 2" 100 mesh with 3 PSI relief valve

Style	GPM	NPT	Male Connection	Mesh	Relief Valve*
P7	50	2	M	100	RV3**

\*If no relief valve is required, leave blank

\*\*Relief valve comes in 3 PSI or 5 PSI version