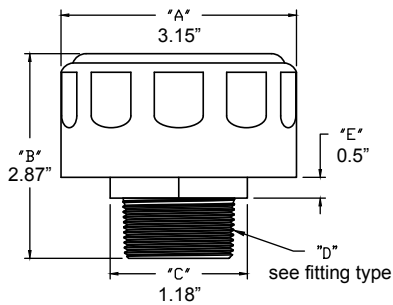


Filler Breather – Threaded Style



PART NOMENCLATURE

CAP FINISH

B	BLACK E-COAT
C	CHROME PLATED
Z	ZINC PLATED

FITTING TYPE-SIZE

Fitting Type	NPT/SAE Size	Code
BSPP	3/4"	B-3/4
BSPP	3/4"	B-3/4 BL
NPT	1/2"	N-1/2
NPT	3/4"	N-3/4
NPT	3/4"	N-3/4 BL
NPT	1"	N-1
SAE	12	S-12 BL

BREATHER STYLE

□BT	NON PRESSURIZED
□BT-P	PRESSURIZED

MICRON RATING

□BT ONLY	3
□BT & □BT-P	10
	40

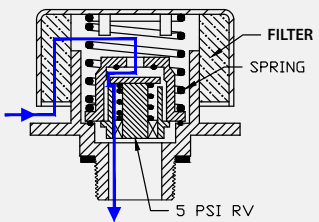
AVAILABLE OPTIONS

D	DIPSTICK
□mit	NONE

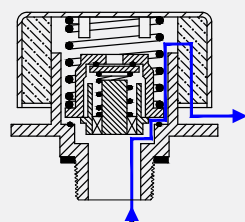
□BT-P-C-40-N-1/2-D

OBT-P Pressurized Cap

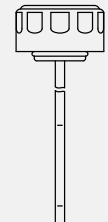
Tank Air Inlet



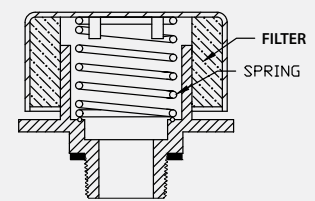
Tank Air Exhaust



AVAILABLE OPTIONS-DIPSTICK



OBT Non-Pressurized Cap



Filler Breather – Threaded Style

Cap Finish		Code
Black E-Coat		B
Chrome Plated		C
Zinc Plated		Z
Filter		Code
3 Micron - OBT only		3
10 Micron		10
40 Micron		40
Fitting Type	Size	Code
BSPP	3/4	B-3/4
BSPP	3/4 Black	B-3/4 BL
NPT	1/2	N-1/2
NPT	3/4	N-3/4
NPT	3/4 Black	N-3/4 BL
NPT	1	N-1
SAE	1-1/16 Black	S-12 BL
Available Options		Code
Dipstick		D
None		Omit

How to Order:

OBT-P (pressurized) series: Chrome Cap, 1/2" NPT with 40-micron filter = OBT-P-C-40-N-1/2

Style	Cap Finish	Filter	Fitting Type	Option
OBT-P	C	40	N-1/2	

OBT (non-pressurized) series – Chrome Cap, 1/2" NPT with 40-micron filter non-pressurized = OBT-C-40-N-1/2

Style	Cap Finish	Filter	Fitting Type	Option
OBT	C	40	N-1/2	

Benefits

- Breathers provide clean air flow into reservoirs where there is an exchange of air during changes in tank fluid levels
- Available with grip cap as a standard product
- Easy to install
- Pressurized breathers provide positive suction lead at the pump

Features

- Steel cap with multiple cap finishes
- Compatible with petroleum based fluids
- Relief valves at 5 PSI / .34 Bar

Options

- Zinc, chrome and black e-coat (zinc cap standard)
- 3 micron (non-pressurized), 10- and 40-micron filters available – 10 micron standard
- Contact factory for dipstick labeling options

Filler Breather – Bayonet Style



PART NOMENCLATURE

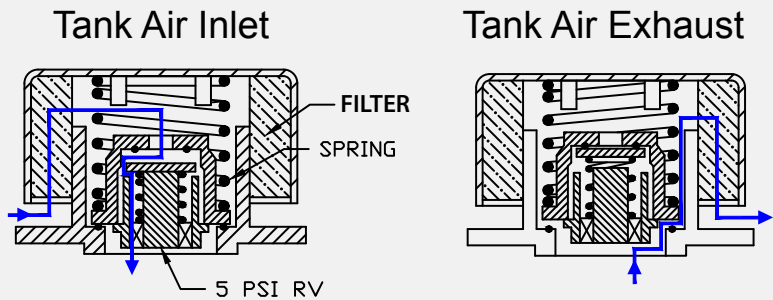
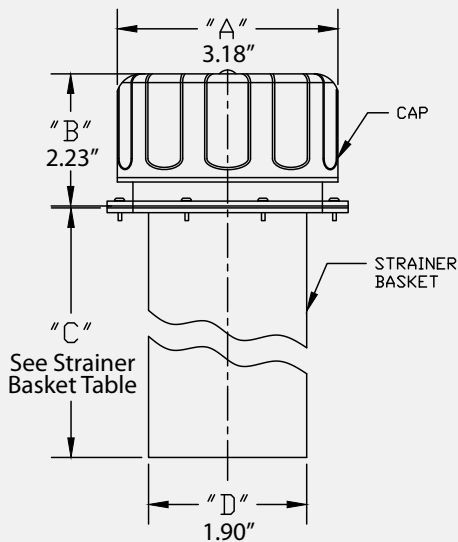
BREATHER STYLE		CAP FINISH		STRAINER BASKET		FLANGE	
OBB	BAYONET	B	BLACK E-COAT	3S	3" STAINLESS STEEL(30MESH)	FO	OBLONG HOLE
OBB-P	BAYONET PRESSURIZED	C	CHROME	6S	6" STAINLESS STEEL(30MESH)	FR	ROUND HOLE
OBN	BAYONET NON-VENTED	Z	ZINC (CLEAR)	8S	8" STAINLESS STEEL(30MESH)	FN	NO HOLE
				4N	4" NYLON	FL	LOCKING TAB

OBB-P-C-40-6S-FR-Z-D

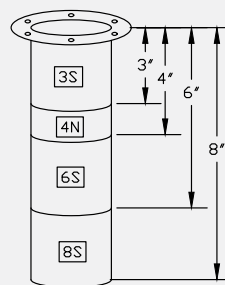
MICRON RATING	BASE STYLE	AVAILABLE OPTIONS
OBB Only	3	DIPSTICK
OBB & OBB-P	10	14 LINK CHAIN W/SMALL RING
	40	10" CHAIN W/SMALL RING
		NEOPRENE CORK
		RIVET BAYONET

OBB & OBB-P STYLE ONLY	
ZINC	Z
BLACK	B
LOCKING TAB, ZINC	LTZ
LOCKING TAB, BLACK	LTB

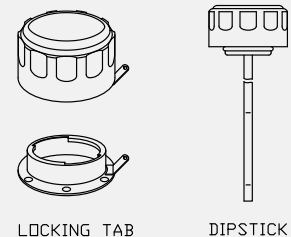
OBN STYLE ONLY	
NO HOLE, ZINC	NH
NO HOLE LOCKING TAB, ZINC	NHLT



STRAINER BASKET



AVAILABLE OPTIONS



Filler Breather – Bayonet Style

Cap Finish	Code
Black E-Coat	B
Chrome Plated	C
Zinc Plated	Z
Filter for OBB & OBB-P Only	Code
3 micron OBB Only	3
10 micron	10
40 micron	40
Basket	Code
None	None
3" Stainless Steel	3S
6" Stainless Steel	6S
8" Stainless Steel	8S
4" Nylon	4N
Flange	Code
Oblong Mounting Holes	FO
Round Mounting Holes	FR
No Mounting Holes	FN
Oblong Mounting Holes, Locking Tab	FL
Base Style for OBB & OBB-P Only	Code
Bayonet Black	B
Bayonet Zinc (Clear)	Z
Bayonet with Locking Tab (Zinc)	LTZ
Bayonet with Locking Tab (Black)	LTB
Base Style OBN Only	Code
No Hole Bayonet (Zinc)	NH
No Hole Bayonet with Locking Tab (Zinc)	NHLT
Available Options	Code
14 Link Chain with Small Ring	C1
10" Chain with Small Ring	C2
Rivet Bayonet	RB
Neoprene Cork	NC
Dipstick (Contact Factory)	D
Standard on All Styles	Code
6 Pack Screw Kit	
Buna Gaskets	
All dimensions are in inches and for reference only.	

How to Order:

OBB-P (Pressurized) series - Chrome plated, 40-micron, 6" basket, Round holes, zinc base = OBB-P-C-40-6S-FR-Z

Style	Cap Finish	Filter	Basket	Flange	Base Color	Option
OBB-P	C	40	6S	FR	Z	

OBB (Vented) series - Vented, Chrome plated, 40-micron, 6" basket, round holes, zinc base = OBB-C-40-6S-FR-Z

Style	Cap Finish	Filter	Basket	Flange	Base Color	Option
OBB	C	40	6S	FR	Z	

OBN (Non-Vented) series – Chrome plated, 6" basket, Round holes, No hole bayonet, zinc plated = OBN-C-6S-FR-NH

Style	Cap Finish	Basket	Flange	Base Color	Option
OBN	C	6S	FR	NH	