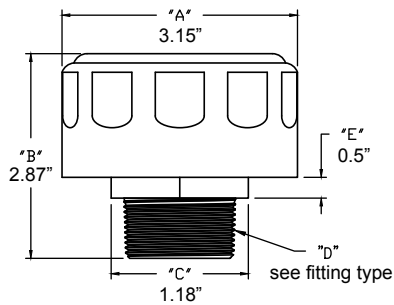


Filler Breather – Threaded Style



PART NOMENCLATURE

CAP FINISH

B	BLACK E-COAT
C	CHROME PLATED
Z	ZINC PLATED

FITTING TYPE-SIZE

Fitting Type	NPT/SAE Size	Code
BSPP	3/4"	B-3/4
BSPP	3/4"	B-3/4 BL
NPT	1/2"	N-1/2
NPT	3/4"	N-3/4
NPT	3/4"	N-3/4 BL
NPT	1"	N-1
SAE	12	S-12 BL

BREATHER STYLE

□BT	NON PRESSURIZED
□BT-P	PRESSURIZED

MICRON RATING

□BT ONLY	3
□BT & □BT-P	10
	40

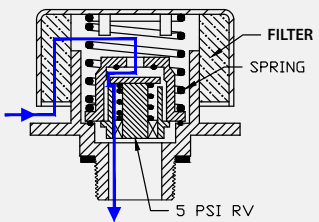
AVAILABLE OPTIONS

D	DIPSTICK
□mit	NONE

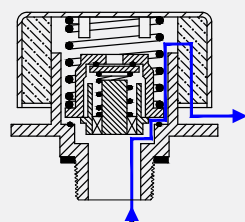
□BT-P-C-40-N-1/2-D

OBT-P Pressurized Cap

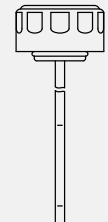
Tank Air Inlet



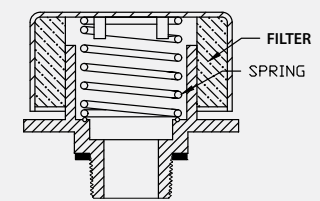
Tank Air Exhaust



AVAILABLE OPTIONS-DIPSTICK



OBT Non-Pressurized Cap



Filler Breather – Threaded Style

Cap Finish		Code
Black E-Coat		B
Chrome Plated		C
Zinc Plated		Z
Filter		Code
3 Micron - OBT only		3
10 Micron		10
40 Micron		40
Fitting Type	Size	Code
BSPP	3/4	B-3/4
BSPP	3/4 Black	B-3/4 BL
NPT	1/2	N-1/2
NPT	3/4	N-3/4
NPT	3/4 Black	N-3/4 BL
NPT	1	N-1
SAE	1-1/16 Black	S-12 BL
Available Options		Code
Dipstick		D
None		Omit

How to Order:

OBT-P (pressurized) series: Chrome Cap, 1/2" NPT with 40-micron filter = OBT-P-C-40-N-1/2

Style	Cap Finish	Filter	Fitting Type	Option
OBT-P	C	40	N-1/2	

OBT (non-pressurized) series – Chrome Cap, 1/2" NPT with 40-micron filter non-pressurized = OBT-C-40-N-1/2

Style	Cap Finish	Filter	Fitting Type	Option
OBT	C	40	N-1/2	

Benefits

- Breathers provide clean air flow into reservoirs where there is an exchange of air during changes in tank fluid levels
- Available with grip cap as a standard product
- Easy to install
- Pressurized breathers provide positive suction lead at the pump

Features

- Steel cap with multiple cap finishes
- Compatible with petroleum based fluids
- Relief valves at 5 PSI / .34 Bar

Options

- Zinc, chrome and black e-coat (zinc cap standard)
- 3 micron (non-pressurized), 10- and 40-micron filters available – 10 micron standard
- Contact factory for dipstick labeling options