

## SAE Weld Flanges



### Benefits

- Choose from a variety of sizes to meet your needs
- Great for fabricating your own hydraulic tank or adding a port to your tank

### Features

- SAE O-ring port ensures leak proof protection
- Suitable for welding

### Options

- Contact the factory for NPT sizes or other materials

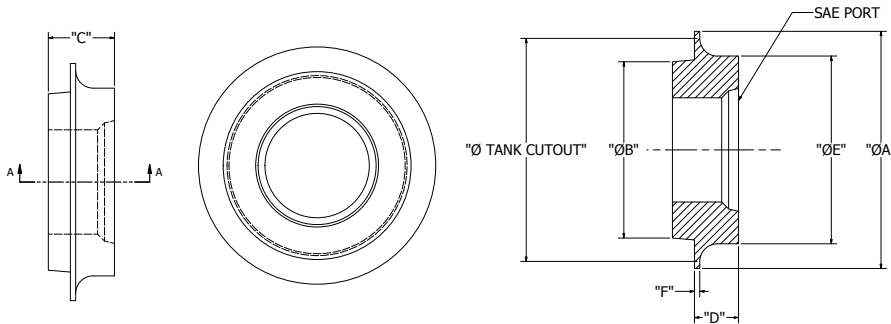
**Distributors  
Wanted!**

# SAE Weld Flanges

Part Number	SAE Port Size	"A"	"B"	"C"	"D"	"E"	"F"	"Tank Cutout" (+0.13)
OF-WF-SAE-6	9/16-18	1.50	0.93	0.56	0.31	1.00	0.10	1.13
OF-WF-SAE-8	3/4-16	1.50	0.93	0.56	0.31	1.00	0.10	1.13
OF-WF-SAE-12	1-1/16-12	2.13	1.38	0.69	0.44	1.44	0.15	1.63
OF-WF-SAE-16	1-5/16-12	2.38	1.66	0.75	0.50	1.75	0.20	1.83
OF-WF-SAE-20	1-5/8-12	2.69	2.00	0.75	0.50	2.13	0.20	2.25
OF-WF-SAE-24	1-7/8-12	3.00	2.25	0.75	0.50	2.38	0.20	2.50
OF-WF-SAE-32	2-1/2-12	3.50	2.63	0.84	0.59	2.88	0.20	2.88
OF-WF-SAE-48	3-3/8-12	4.63	3.66	1.00	0.81	3.94	0.25	3.88

All dimensions are in inches and for reference only.

\*Bulk Packaged - Minimum 10 pieces Order Quantity up to SAE 16 - 5 Pieces SAE 24 and above.



Material	Finish
AISI 1040, 12L14 or Equivalent	Phosphate, Black Oxide or Equivalent