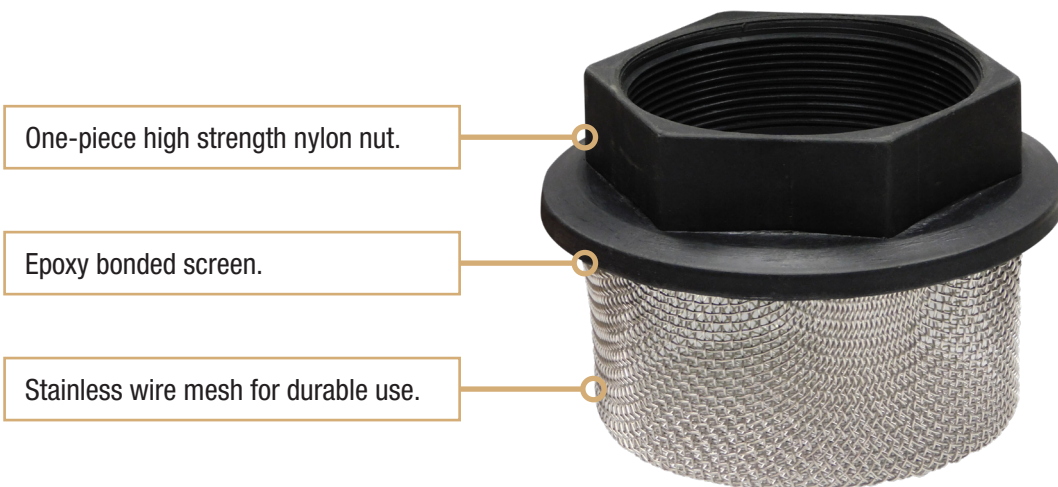


## Pipe Mounted Suction Screen - Female



### Benefits

- Reliable, low-cost screens fit on the end of hose or pipe applications
- Threaded onto vent openings for air, vacuum, and water
- Can be used for straining oil, paints, chemicals or water
- Stainless construction prevents rust

### Features

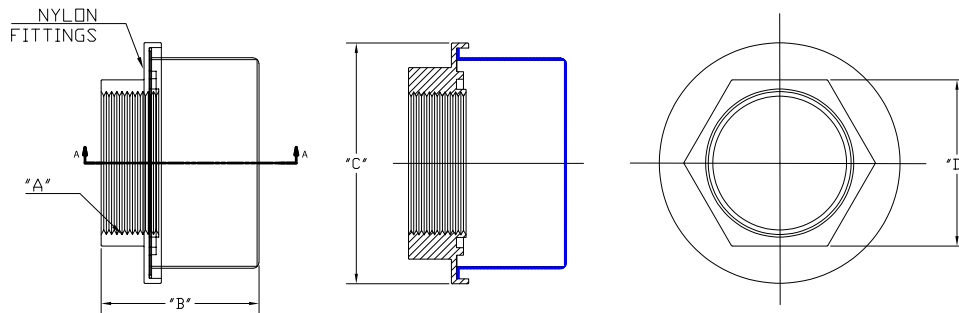
- Pipe sizes available are up to 3"
- Mesh sizes ranging from 4 to 200 mesh
- 60, 100 and 200 mesh screens are backed up with a 30 mesh inner support
- Durable one-piece nylon hex coupling for reduced cost

## Distributors Wanted!

# Pipe Mounted Suction Screen - Female

Part Number	"A" NPT Size	"B" Length	"C" Diameter	"D" Hex Head Width
IS-F-3/8-1.9	3/8	1.45	1.90	1.00
IS-F-1/2-1.9	1/2	1.45	1.90	1.00
IS-F-3/4-2.7	3/4	1.50	2.61	1.43
IS-F-1-2.7	1	1.45	2.66	1.63
IS-F-3/4-3.4	3/4	1.80	3.40	1.95
IS-F-1-3.4	1	1.80	3.40	1.95
IS-F-1-1/4-3.4	1-1/4	1.85	3.40	1.95
IS-F-1-1/2-3.4	1-1/2	2.05	3.40	2.31
IS-F-1-1/2-4	1-1/2	2.60	4.00	2.75
IS-F-2-4	2	2.60	4.00	2.75
IS-F-2-1/2-5.2	2-1/2	3.55	5.12	3.25
IS-F-3-5.2	3	3.65	5.20	3.75

All dimensions are in inches and for reference only.



## Filter Mesh: 20 Mesh is Standard

Mesh Suffix XXX	Mesh Opening Microns	Open Area (%)
4	4760	.1870
6	3360	.1320
8	2380	.0937
10	2000	.0787
20	841	.0331
30	570	.0232
40	400	.0165
60/30	250	.0098
100/30	149	.0059
200/30	74	.0029

## How to Order: 1" Female NPT 2.7" nut diameter 60/30 mesh = IS-F-1-2.7-60/30

Part Number	Mesh
IS-F-1-2.7	60/30

\*60, 100 and 200 mesh supplied with 30 mesh support screens