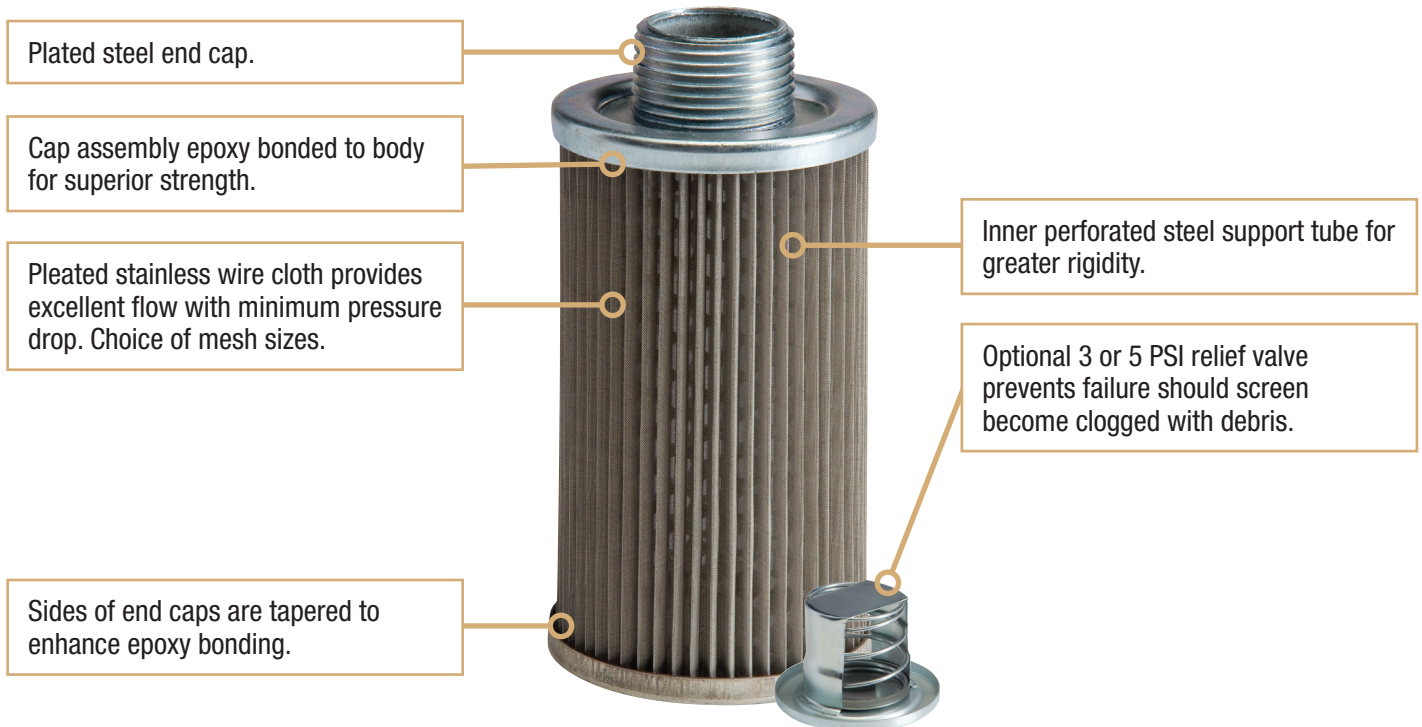


H7 Series Male Suction Strainers



Benefits

- Reliable, low-cost filtering of petroleum based fluids, fire-resistant fluids (phosphate esters and water glycols), lubricating oils, coolants, fuels and water
- Flow rates to 50 gpm

Features

Male NPT steel suction strainers are used in petroleum based fluids, coolants, lubricants, and many process fluids.

Designed as in-tank strainer elements for direct installation into suction lines of pumps; should always be installed below the minimum fluid level of the reservoir.

Optional relief valves are available in either 3 PSI or 5 PSI allowing dirty filters to by-pass fluid so your pumps wont burn out.

Options

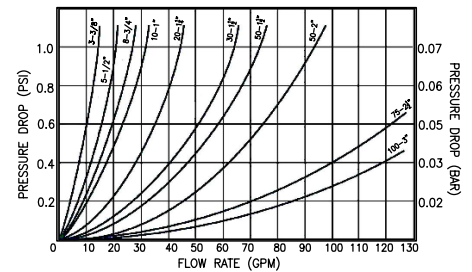
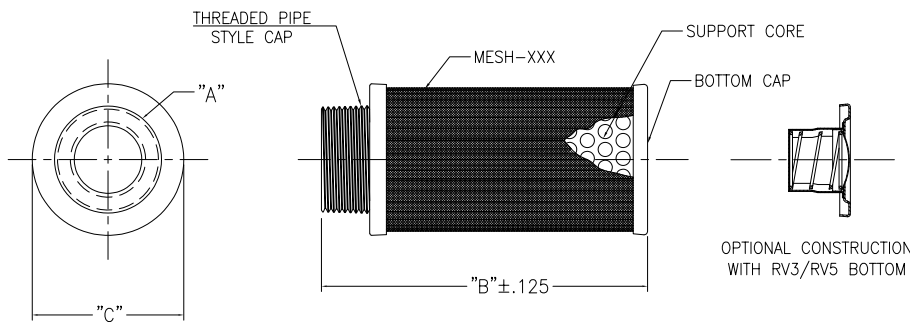
- 3 or 5 PSI bypass
- Custom sizes, screens and adapters

Distributors Wanted!

H7 Series Male Suction Strainers

Part Number	GPM	"A" NPT Size	"B" Length	"C" Diameter	Screen Area (SQ-IN)
H7-3-3/8-M	3	3/8	2.45	1.85	35
H7-5-3/4-M	5	3/4	3.68	2.63	68
H7-5-1-M	5	1	3.54	2.63	68
H7-8-3/4-M	8	3/4	3.68	2.63	68
H7-8-1-M	8	1	3.54	2.63	68
H7-10-3/4-M	10	3/4	5.36	2.63	106
H7-10-1-M	10	1	5.23	2.63	106
H7-20-1-M	20	1	6.75	3.38	165
H7-30-1-M	30	1	7.95	3.38	235
H7-30-1-1/2-M	30	1-1/2	8.01	3.38	235
H7-50-2-M	50	2	9.98	3.94	340

All dimensions are in inches and for reference only.



Filter Mesh: 100 Mesh is Standard

Mesh Suffix XXX	Mesh Opening Microns	Open Area (%)
200	69	29
100	155	36
60	300	41
30	681	64

How to Order: Male 20 GPM 1" 60 mesh with 3 PSI relief valve

Style	GPM	NPT	Male Connection	Mesh	Relief Valve*
H7	20	1	M	60	RV3**

*If no relief valve is required, leave blank

**Relief valve comes in 3 PSI or 5 PSI version