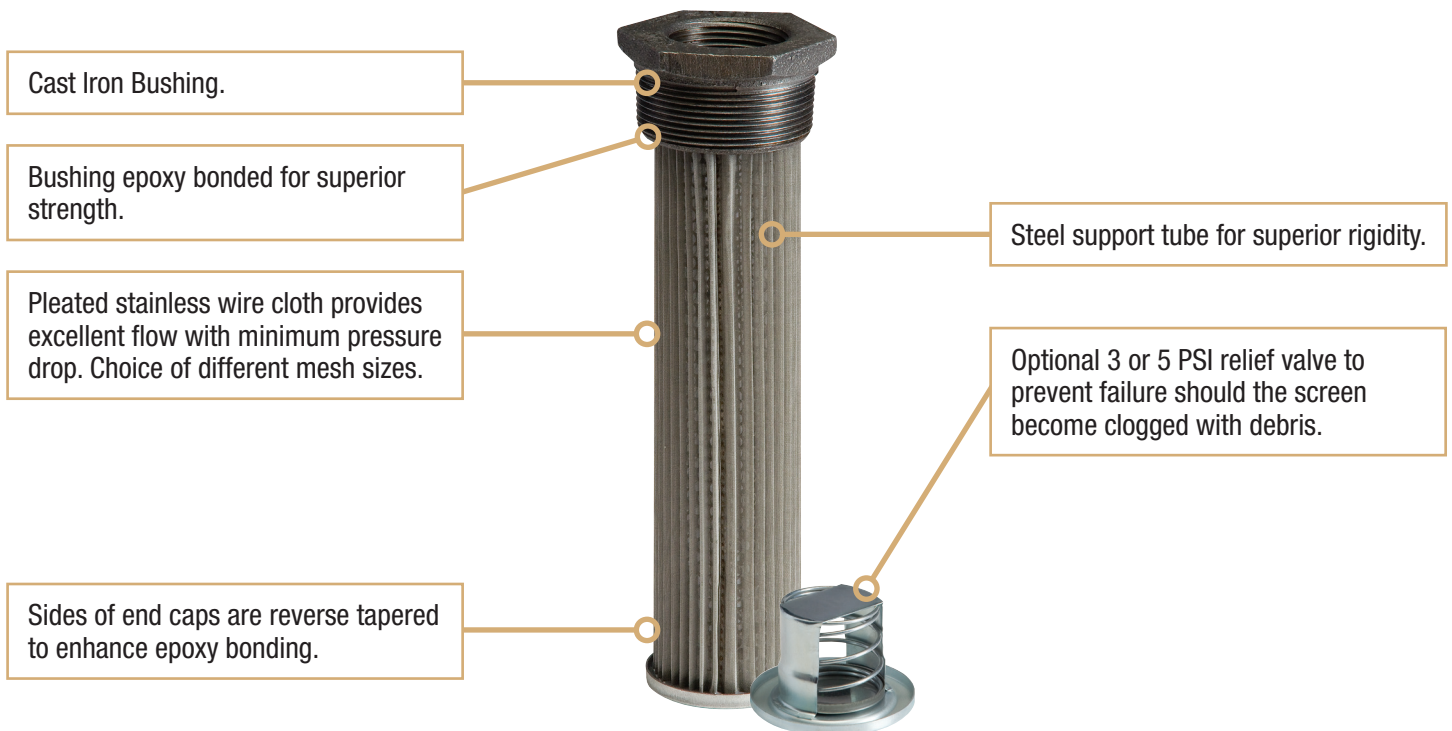


NPT Tank Mount Suction Strainers



Benefits

- Cast Iron NPT bushing
- Epoxy bonded stainless steel pleated screen
- Flow rates to 100 gpm
- Perforated steel support tube

Features

NPT Tank Mount Suction Strainers are used in hydraulic fluids, coolants, lubricants, and many process fluids.

A tank-mounted strainer is installed through a tank top and may be removed for servicing without draining the tank.

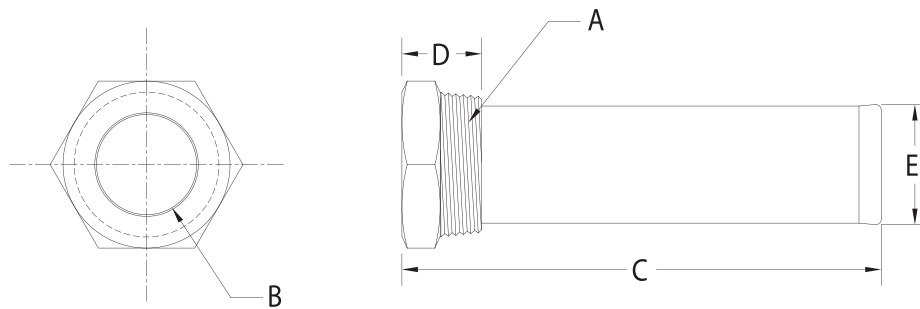
Options

- 3 or 5 psi bypass
- Custom sizes, screens and adapters

Distributors Wanted!

NPT Tank Mount Suction Strainers

Assembly	Model #	GPM	"A" NPT	"B" NPT	"C" (+/- .125)	"D" Ref.	"E" (+/- .064)	Screen Area (sq/in)
0-7319-1	TM5	5	1	1/2	5.34	1.06	1.13	36
0-7319-2	TM10	10	1-1/4	3/4	8.18	1.20	1.36	65
0-7319-3	TM15	15	1-1/2	1	8.25	1.23	1.66	89
0-7319-5	TM25	25	2	1-1/4	9.03	1.35	2.12	127
0-7319-7	TM50	50	3	2	9.70	1.74	3.00	260
0-7319-9	TM100	100	4	3	11.30	2.05	3.94	308



Filter Mesh: 100 Mesh is Standard

Mesh Suffix	Mesh Opening	Open Area
200	.0029" (74 Microns)	33.6%
100	.0055" (140 Microns)	30.2%
60	.0102" (260 Microns)	37.3%

How to Order

Assembly Suffix	Mesh Valves	Optional Relief (RV3 or RV5)
0-7319-1	- 100 -	RV3