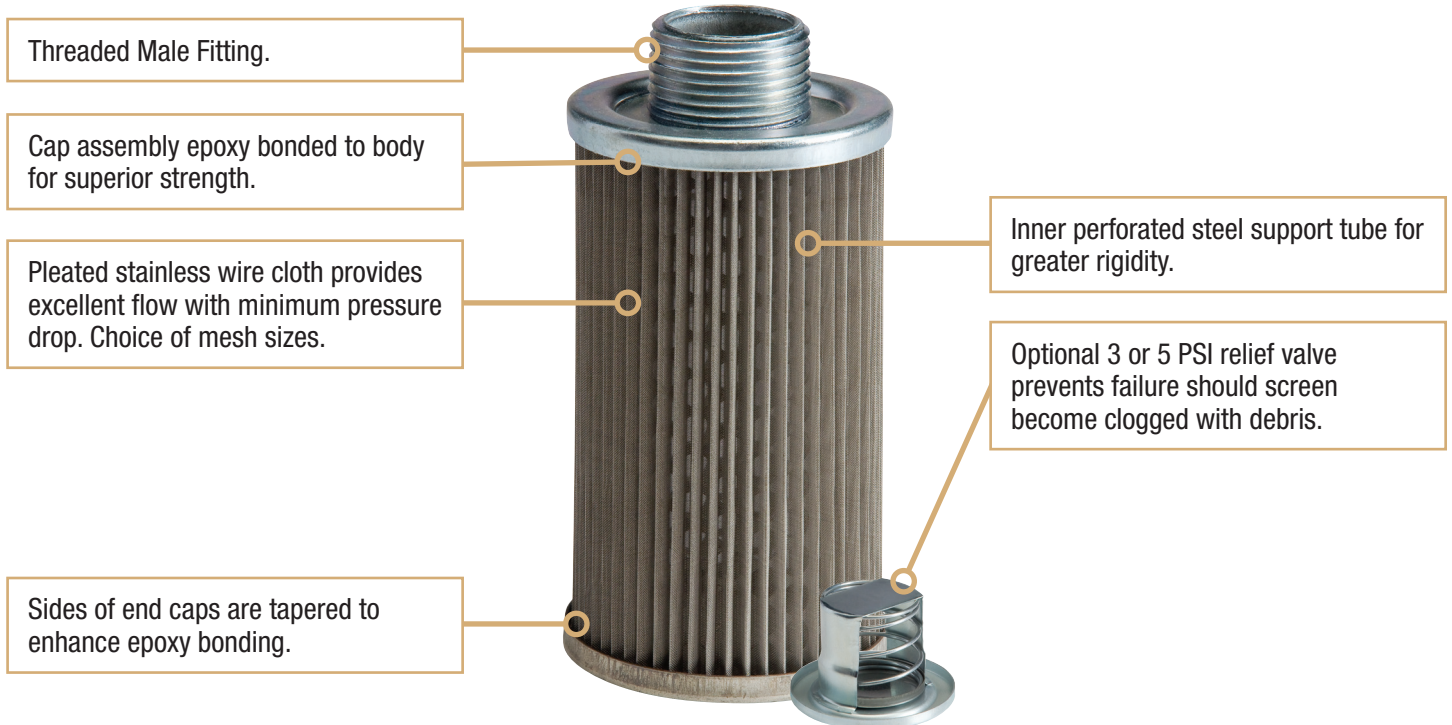


Male Fitting Suction Strainers



Benefits

Reliable, low-cost filtering of petroleum base hydraulic fluids, fire-resistant hydraulic fluids (phosphate esters and water glycols), lubricating oils, coolants, fuels and water.

Features

Male Steel NPT Fitted suction strainers are used in hydraulic fluids, coolants, lubricants, and many process fluids.

Designed as in-tank strainer elements for direct installation into suction lines of pumps; should always be installed below the minimum fluid level of the reservoir.

Optional relief valves are available in either 3 psi or 5 psi allowing dirty filters to by-pass fluid so your pumps won't burn out.

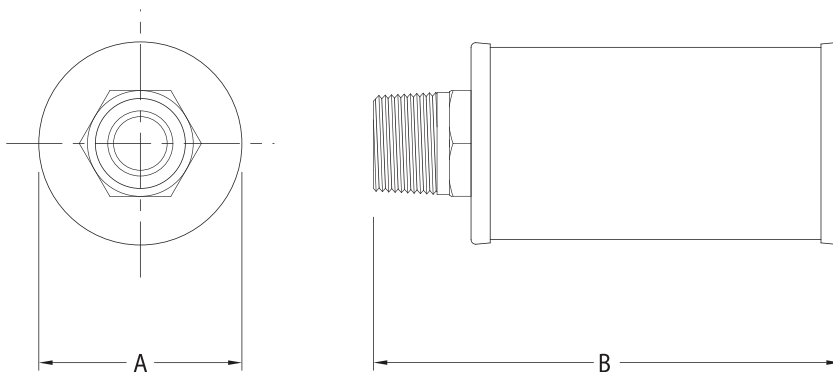
Options

- 3 or 5 psi bypass
- Custom sizes, screens and adapters

Distributors Wanted!

Male Fitting Suction Strainers

Assembly	NPT Thread Pipe Size (in)	"A" Diameter	"B" Length	Screen Area (sq/in)
N-7051	3/8	1.85	2.45	34
N-7054	3/4	2.63	3.68	68
N-7055	1	2.63	5.23	106
N-7058	1-1/2	3.38	8.01	234



Filter Mesh: 100 Mesh is Standard

Mesh Suffix	Mesh Opening	Open Area
200	.0029" (74 Microns)	33.6%
100	.0055" (140 Microns)	30.2%
60	.0102" (260 Microns)	37.3%

How to Order

Assembly Suffix	Mesh Valves	Optional Relief (RV3 or RV5)
P-7051	- 100 -	RV3